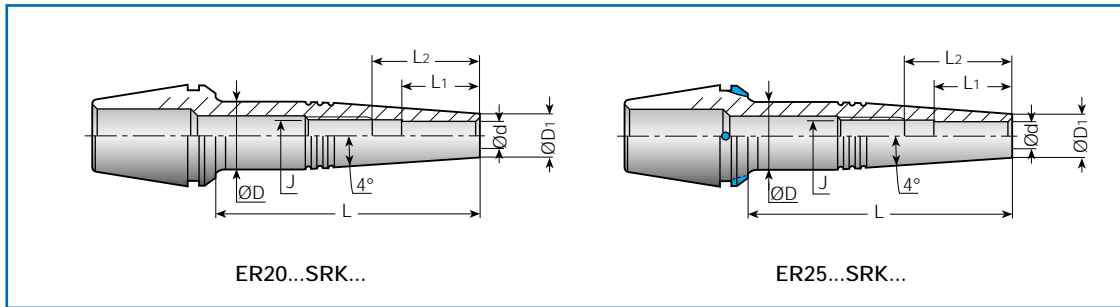


ER20 and ER25 ShrinkIN Collets (mm)



ER20 SRK

Cat. No.	Designation	d	L	L1	L2	D	D1	J
4500761	ER20 SRK 3X35	3	35	10	16	13.5	10	M6x1
4503253	ER20 SRK 3X35 JET2	3	35	10	16	13.5	10	M6x1
4500765	ER20 SRK 3X60	3	60	10	16	13.5	10	M6x1
4503254	ER20 SRK 3X60 JET2	3	60	10	16	13.5	10	M6x1
4500762	ER20 SRK 4X35	4	35	12	18	13.5	10	M6x1
4503255	ER20 SRK 4X35 JET2	4	35	12	18	13.5	10	M6x1
4500766	ER20 SRK 4X60	4	60	12	18	13.5	10	M6x1
4503258	ER20 SRK 4X60 JET2	4	60	12	18	13.5	10	M6x1
4500763	ER20 SRK 5X35	5	35	15	21	13.5	10	M6x1
4503256	ER20 SRK 5X35 JET2	5	35	15	21	13.5	10	M6x1
4500767	ER20 SRK 5X60	5	60	15	21	13.5	10	M6x1
4503259	ER20 SRK 5X60 JET2	5	60	15	21	13.5	10	M6x1
4500764	ER20 SRK 6X35	6	35	18	24	13.5	11	M8x1.25
4503257	ER20 SRK 6X35 JET2	6	35	18	24	13.5	11	M8x1.25
4500768	ER20 SRK 6X60	6	60	18	24	13.5	11	M8x1.25
4503260	ER20 SRK 6X60 JET2	6	60	18	24	13.5	11	M8x1.25

ER25 SRK

Cat. No.	Designation	d	L	L1	L2	D	D1	J
4500773	ER25 SRK 3X35	3	35	10	16	13.5	10	M6x1
4503243	ER25 SRK 3X35 JET2	3	35	10	16	13.5	10	M6x1
4500769	ER25 SRK 3X60	3	60	10	16	16.3	10	M6x1
4503244	ER25 SRK 3X60 JET2	3	60	10	16	16.3	10	M6x1
4500774	ER25 SRK 4X35	4	35	12	18	13.5	10	M6x1
4503245	ER25 SRK 4X35 JET2	4	35	12	18	13.5	10	M6x1
4500770	ER25 SRK 4X60	4	60	12	18	16.3	10	M6x1
4503249	ER25 SRK 4X60 JET2	4	60	12	18	16.3	10	M6x1
4500775	ER25 SRK 5X35	5	35	15	21	13.5	10	M6x1
4503246	ER25 SRK 5X35 JET2	5	35	15	21	13.5	10	M6x1
4500771	ER25 SRK 5X60	5	60	15	21	16.3	10	M6x1
4503250	ER25 SRK 5X60 JET2	5	60	15	21	16.3	10	M6x1
4500776	ER25 SRK 6X35	6	35	18	24	14.7	11	M8x1.25
4503247	ER25 SRK 6X35 JET2	6	35	18	24	14.7	11	M8x1.25
4500772	ER25 SRK 6X60	6	60	18	24	17.3	11	M8x1.25
4503251	ER25 SRK 6X60 JET2	6	60	18	24	17.3	11	M8x1.25
4500777	ER25 SRK 8X35	8	35	25	31	17.8	14	M10x1.5
4503248	ER25 SRK 8X35 JET2	8	35	25	31	17.8	14	M10x1.5
4500778	ER25 SRK 8X60	8	60	25	31	17.8	14	M10x1.5
4503252	ER25 SRK 8X60 JET2	8	60	25	31	17.8	14	M10x1.5